

## Vigilon 4 & 6 Loop Panel

The Vigilon analogue addressable fire detection and alarm system from Gent offers medium to large sized building owners the latest in system flexibility and control panel aesthetics.



### Description

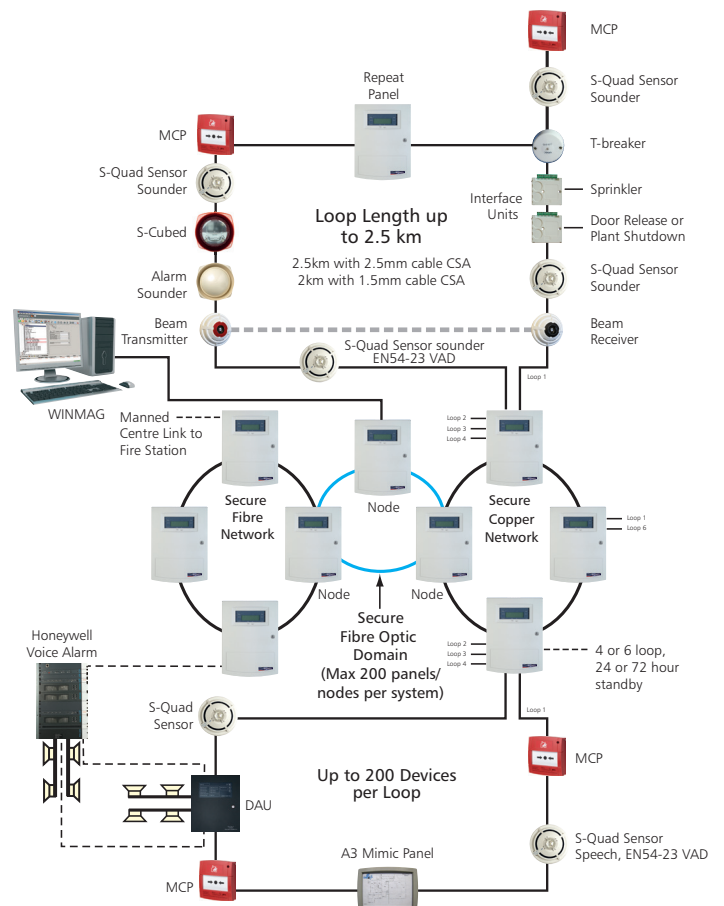
The Vigilon panel manages up to six loops accommodating up to 200 devices on each, including repeat panels, interfaces, call points, sensors, sounders and visual alarms.

The Vigilon panel is available with 24 and 72 hour standby options. Advanced networking options allow multi domain networks of up to 200 panels/nodes with options of copper or fibre connections.

Vigilon's back-lit LCD display presents clear indication of Fire or Fault location and the control panel's innovative 8-line x 40 character display with push-button keypad is simple to use. Fire Plans can be tailored to precisely meet site requirements.

Vigilon's software allows network areas to be sectored to evacuate or alert status, or configured with pre-set delays. Fully compatible with Gent's innovative S-Quad range – a combined Multi-Sensor range with speech, sounder and EN54-23 Visual Alarm devices in one intelligent unit.

### Schematic of the Vigilon Architecture

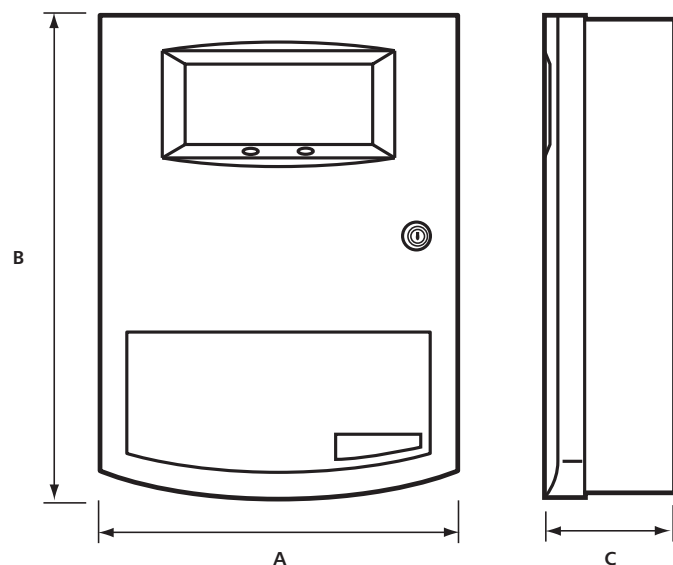


## Key Features

- Integral EN54-4 PSU and battery standby for 24 hours (4 loop)
- Integral EN54-4 PSU for 72 hours with external batteries (6 loop)
- Vigilon's advanced sensing technology and powerful software processing in the panel quickly identifies real fires
- PC based commissioning tools allow complex fire plans to be configured
- Advanced loop card technology allows for system status monitoring and diagnostics
- The control panel has a simple user interface with LCD screen providing accurate information in an emergency
- Multiple panel networks can be programmed seamlessly as one system, allowing for flexible design and system management
- Flexible programming options are available at the panel
- All Vigilon devices connect onto the same two core loop, separate sounder or repeater panel wiring circuits are not required
- In the event of a fire or fault, Vigilon's analogue addressable technology will provide a detailed log of events
- PC based Graphics user interface (GUI) available

SPECIFICATION		
Type	VIG1-24 - 4 loop panel	VIG1-72 - 6 loop panel
Max No of Loops	4	6
Loop Capacity	200 with an alarm current of up to 800mA (Equivalent to 100 sensor sounders VADs)	
Batteries	2 x 21Ah	4 or 8 x 21Ah
Battery Standby	24 hours standby + 30 minutes alarm upgradeable to 72 hours	72 hours standby + 30 minutes alarm
Approx Weight	22 Kg (inc batteries)	10.2 Kg (panel only) 31 Kg (battery enclosure inc four batteries)
Operating Temp	0°C to +45°C	
Cable Entry	Top and rear knockins	Top and rear knockins
Approvals	EN54 Parts 2 & 4	

## Dimensions



EN54-2 requires that Vigilon 4 & 6 loop panels are restricted to max 512 sensors and call points

	A	B	C
<b>Control Panel</b>	<b>406</b>	<b>543</b>	<b>172</b>
<b>Battery Box</b> (only required with VIG1-72 , 6 loop panel)	<b>382</b>	<b>309</b>	<b>112</b>

DESCRIPTION	ORDER CODES
<b>EN54 Control Panel</b>	
1 to 4 Loop Control Panel	VIG1-24
1 to 6 Loop Control Panel	VIG1-72
Vigilon Loop Card	VIG-LPC-EN
Vigilon Network Card (Copper)	VIG-NC
Vigilon Network Card (multimode Fibre)	VIG-NC-FO
Vigilon Upgrade kit	VIG72-UPGR
Flush Surround	VIG-FLUSH
<b>STAINLESS STEEL OPTIONS</b>	
Stainless Steel Door for Vigilon Main Control Panel	VIG-DOOR-SS
Stainless Steel flush Mounting Kit for Vigilon Main Control Panel	VIG-FLUSH-SS